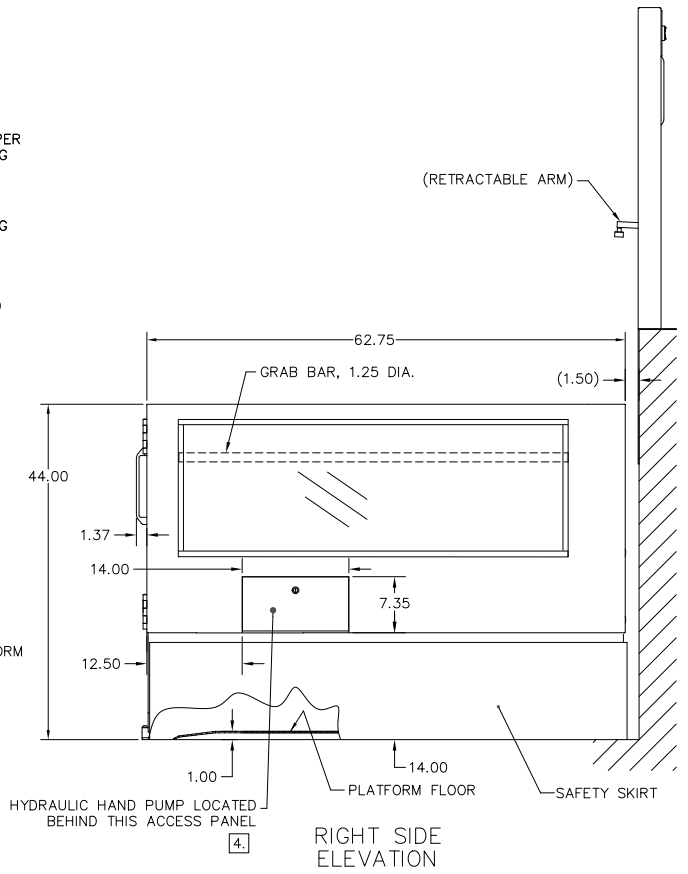
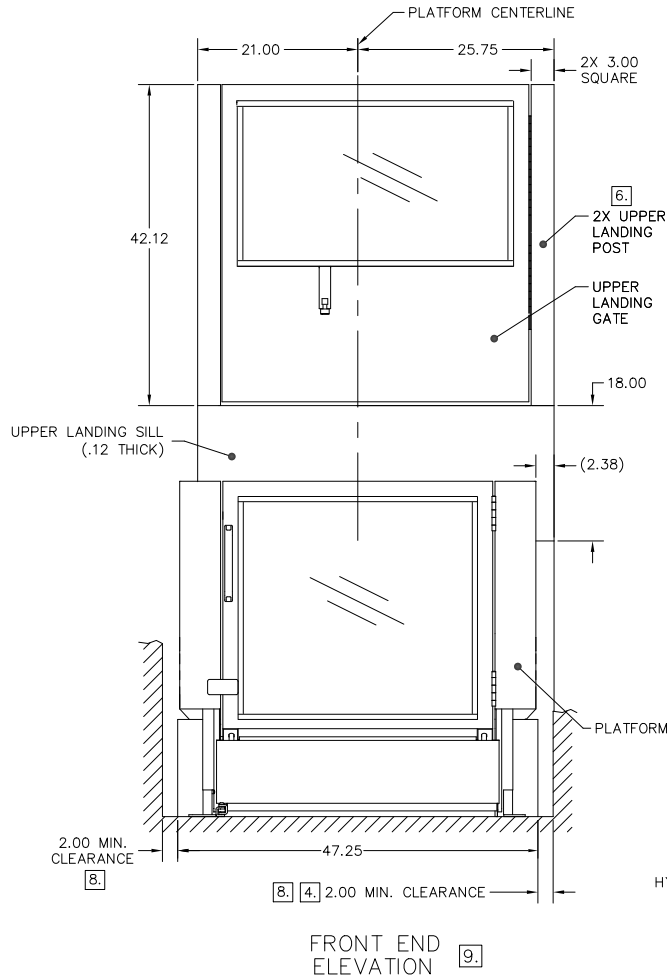


8 7 6 5 4 3 2 1

REVISIONS				
ZONE	LTR.	DESCRIPTION	DATE	APPROVED

NOTES UNLESS OTHERWISE SPECIFIED:

1. DESCRIPTION: ASCENSION VIRTUOSO 5460FG MODEL SERIES VERTICAL WHEELCHAIR LIFT. STANDARD COLOR BLACK.
2. ELECTRICAL & CONTROLS:
  - 2.1 120 VAC, 60 HZ, SINGLE PHASE, 15 AMP MINIMUM SERVICE LINE.
  - 2.2 LOWER LANDING OPERATING CONTROLS PROVIDED IN 1.88" DEEP SINGLE GANG HANDY BOX FOR REMOTE MOUNTING.
  - 2.3 UPPER LANDING OPERATING CONTROLS PROVIDED AT UPPER LANDING GATE.
  - 2.4 ALL CONTROL CIRCUITS POWERED BY 12 VDC POWER SUPPLY.
3. LIGHTING: STANDARD AND EMERGENCY LIGHTING TO BE PROVIDED BY OTHERS.
4. (SHEETS 1 & 3) INDICATED MINIMUM CLEARANCE (ON RIGHT SIDE ONLY) SHALL BE INCREASED TO 8.00" FOR HAND PUMP ACCESS WHERE STANDBY POWER OR BATTERY BACKUP IS NOT PROVIDED, AND FOR ALL INSTALLATIONS IN CALIFORNIA.
5. REINFORCED CONCRETE SLAB REQUIRED, 4" THICK, 3500 PSI, FLAT AND LEVEL WITHIN 1/2".
6. UPPER LANDING POSTS NOT SELF-SUPPORTING. SIDE SUPPORTS AND ATTACHMENT BRACKETS TO SUPPORT 125 LBF TO BE PROVIDED BY OTHERS.
7. ANCHORS TO BE PROVIDED BY INSTALLER.
8. WHERE AN OBSTRUCTION OR SURFACE LOCATED WITHIN 12" OF PLATFORM PRESENTS A PINCHING, SHEARING, OR CRUSHING HAZARD, A SMOOTH CONTINUOUS SURFACE SHALL BE PROVIDED EXTENDING FROM LOWER LANDING TO 42" MINIMUM ABOVE UPPER LANDING.
9. (SHEETS 1 & 2) STANDARD GATE HINGING SHOWN; MIRROR GATES AND GATE DIMENSIONS ABOUT PLATFORM CENTERLINE AS NECESSARY FOR OTHER HINGE CONFIGURATIONS.



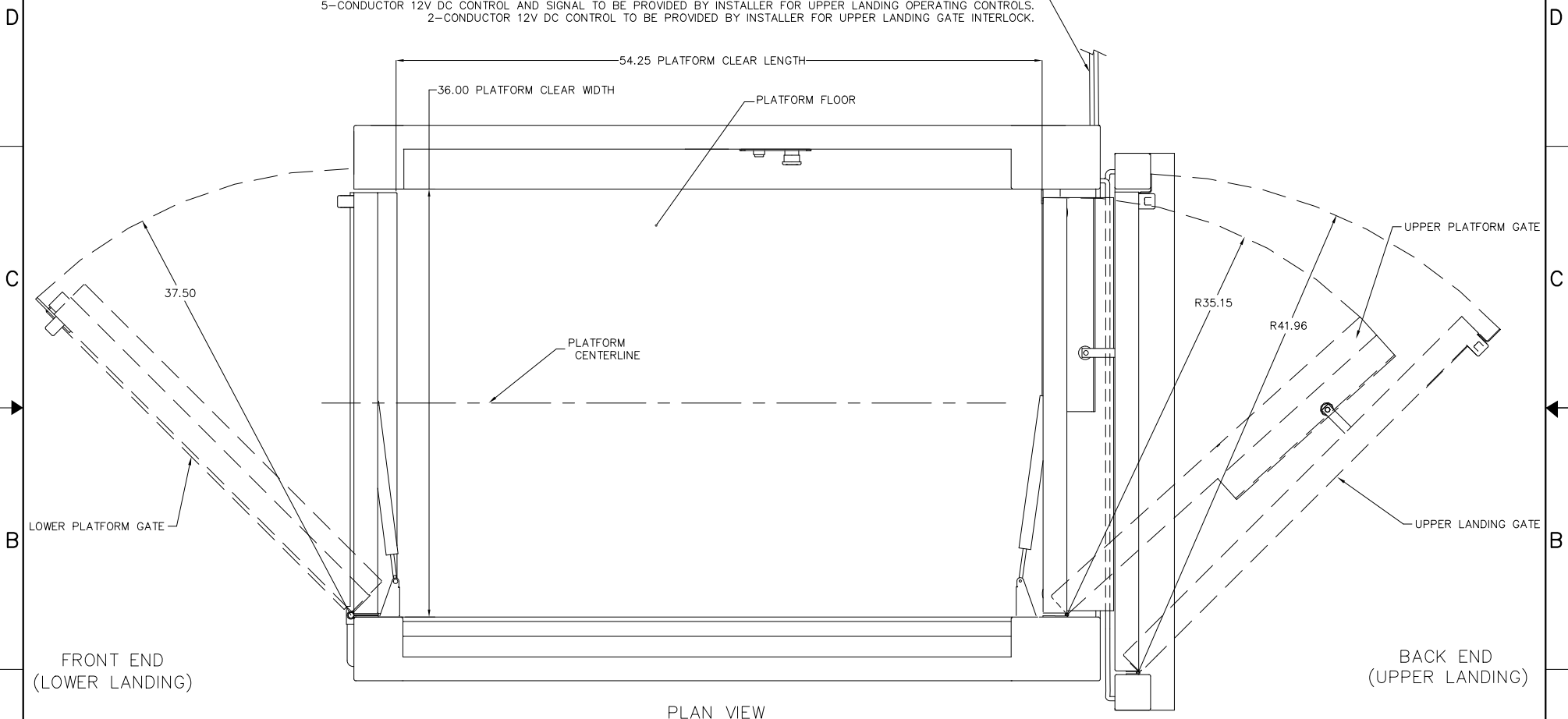
ASCENSION P/N: \_\_\_\_\_

INTERPRET DIMENSIONS AND TOLERANCES IN INCHES AND DECIMALS: DECIMALS: .XX & .25 .XXX & .030 ANGLES: 0.5° UNLESS OTHERWISE SPECIFIED DIMENSIONS ARE IN INCHES TOLERANCES: DO NOT SCALE DRAWING		CONTRACT NO. _____ DRAWN BY: M. ONTIVEROS DATE: 8-31-07 CHECKED BY: E. ZUERCHER DATE: 8-31-07 APPROVED BY: E. ZUERCHER DATE: 8-31-07 MANUFACTURING: _____	<b>CGM CONTAINER CONTROLS, INC.</b> <small>P.O. BOX 40020 - TUCSON, ARIZONA 85717-0020</small> <b>VIRTUOSO 5460FG MODEL SERIES WHEELCHAIR LIFT</b> FSCM NO. 08992 DWG. NO. VIRTUOSO 5460FG SCALE: 1/8" = 1'-0" SHEET: 1 OF 3
PART NO. _____ NEXT FINAL QTY. PER ASSY. _____ NEXT ASSY. _____ USED ON _____ APPLICATION _____	SIMILAR TO _____ PACT. WT. _____ BALC. WT. _____ SYSTEM _____	SIZE: D RELEASE-BANK _____ FILE: VIRTUOSO 5460FG	TITLE: _____ DATE: _____ APPROVED: _____ MANUFACTURING: _____

8 7 6 5 4 3 2 1

REVISIONS				
ZONE	LTR.	DESCRIPTION	DATE	APPROVED

ALL CONDUCTORS ROUTED INTO LIFT BASE AT GROUND LEVEL.  
 3-CONDUCTOR 120V AC SUPPLY TO BE PROVIDED BY INSTALLER.  
 3-CONDUCTOR 12V DC CONTROL AND SIGNAL TO BE PROVIDED BY INSTALLER FOR LOWER LANDING OPERATING CONTROLS.  
 5-CONDUCTOR 12V DC CONTROL AND SIGNAL TO BE PROVIDED BY INSTALLER FOR UPPER LANDING OPERATING CONTROLS.  
 2-CONDUCTOR 12V DC CONTROL TO BE PROVIDED BY INSTALLER FOR UPPER LANDING GATE INTERLOCK.



PLAN VIEW

FRONT END  
(LOWER LANDING)

BACK END  
(UPPER LANDING)

GATE HINGE CONFIGURATIONS: 9

- 1. STANDARD GATE HINGING: ALL GATES AS SHOWN.
- 2. OPPOSITE-HINGED LOWER PLATFORM GATE: MIRROR LOWER PLATFORM GATE ABOUT PLATFORM CENTERLINE.
- 3. OPPOSITE-HINGED UPPER PLATFORM GATE AND UPPER LANDING GATE: MIRROR UPPER PLATFORM GATE AND UPPER LANDING GATE ABOUT PLATFORM CENTERLINE.
- 4. ALL GATES OPPOSITE HINGED: MIRROR ALL GATES ABOUT PLATFORM CENTERLINE.

SIZE D	FSCM NO. 08992	DWG. NO. VIRTUOSO 5460FG	REV J
SCALE 1/4	RELEASE DATE	SHEET 2	FILE VIRTUOSO 5460FG

DMAT 2/91 8 7 6 5 4 3 2 1

8 7 6 5 4 3 2 1

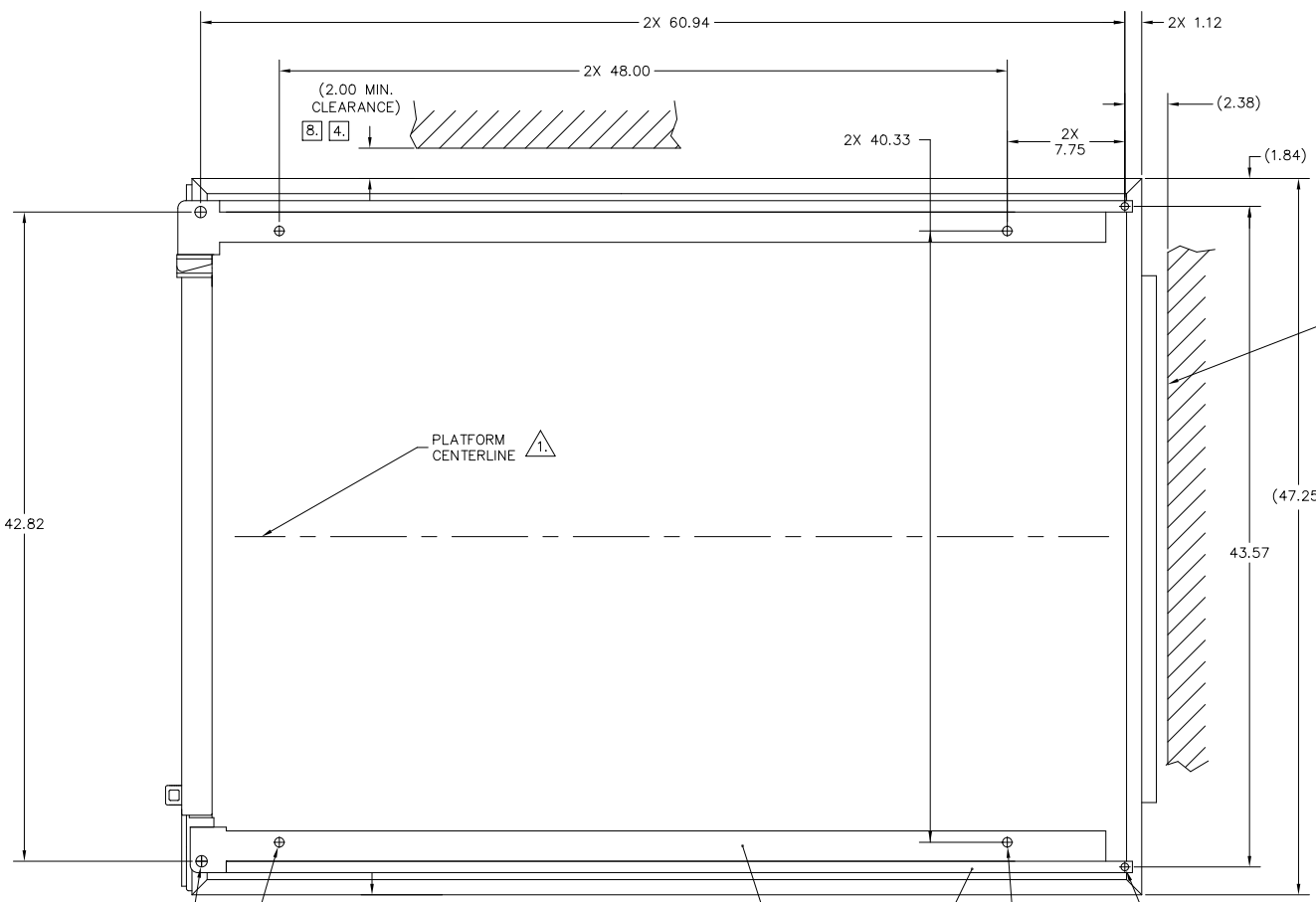
REVISIONS				
ZONE	LTR.	DESCRIPTION	DATE	APPROVED

D  
C  
B  
A

D  
C  
B  
A

FRONT END  
(LOWER LANDING)

BACK END  
(UPPER LANDING)



2X  $\phi$ .75  
1. (ACCESSIBLE OUTSIDE LIFT)

2X  $\phi$ .625  
1. (ACCESSIBLE UNDER PLATFORM)

(2.00 MIN. CLEARANCE) 8.

.75 SQUARE  
STRUCTURAL  
STEEL TUBE

STRUCTURAL STEEL  
PLATE .25 THICK

2X  $\phi$ .50  
(ACCESSIBLE OUTSIDE LIFT) 1.

2X  $\phi$ .625  
(ACCESSIBLE UNDER PLATFORM) 1.

VIEW A—A (BOTTOM VIEW)  
FROM SHEET 1

1. ANCHOR POINTS  
SYMMETRIC ABOUT PLATFORM CENTERLINE

SIZE D	FSCM NO. 08992	DWG. NO. VIRTUOSO 5460FG	REV J
SCALE 1/4	RELEASE DATE	SHEET 3	FILE VIRTUOSO 5460FG

DMAT 2/91 8 7 6 5 4 3 2 1