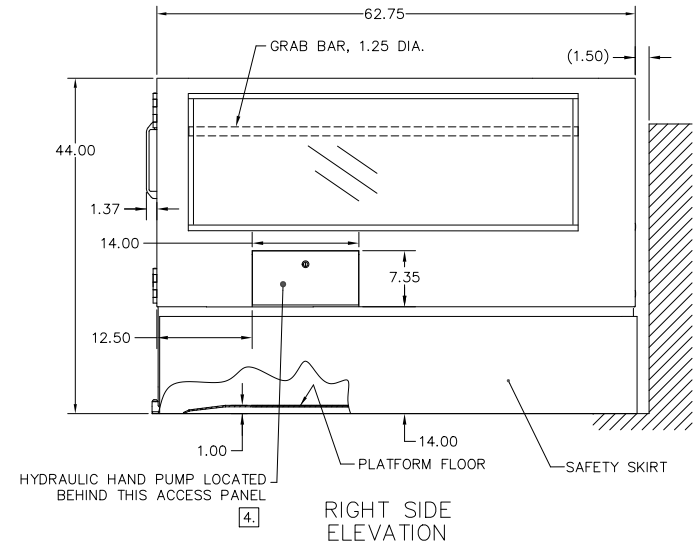
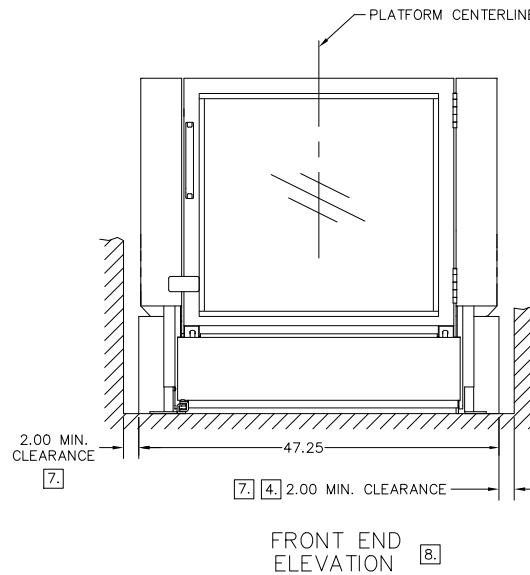


8 7 6 5 4 3 2 1

REVISIONS				
ZONE	LTR.	DESCRIPTION	DATE	APPROVED

NOTES UNLESS OTHERWISE SPECIFIED:

1. DESCRIPTION: ASCENSION VIRTUOSO 5460F MODEL SERIES VERTICAL WHEELCHAIR LIFT. STANDARD COLOR BLACK.
2. ELECTRICAL & CONTROLS:
  - 2.1 120 VAC, 60 HZ, SINGLE PHASE, 15 AMP MINIMUM SERVICE LINE.
  - 2.2 LANDING OPERATING CONTROLS PROVIDED IN 1.88" DEEP SINGLE GANG HANDY BOX FOR REMOTE MOUNTING.
  - 2.3 ALL CONTROL CIRCUITS POWERED BY 12 VDC SOLID STATE LINEAR POWER SUPPLY.
3. LIGHTING: STANDARD AND EMERGENCY LIGHTING TO BE PROVIDED BY OTHERS.
4. (SHEETS 1 & 3) INDICATED MINIMUM CLEARANCE (ON RIGHT SIDE ONLY) SHALL BE INCREASED TO 8.00" FOR HAND PUMP ACCESS WHERE STANDBY POWER OR BATTERY BACKUP IS NOT PROVIDED, AND FOR ALL INSTALLATIONS IN CALIFORNIA.
5. REINFORCED CONCRETE SLAB REQUIRED, 4" THICK, 3500 PSI, FLAT AND LEVEL WITHIN 1/2".
6. ANCHORS TO BE PROVIDED BY INSTALLER.
7. WHERE AN OBSTRUCTION OR SURFACE LOCATED WITHIN 12" OF PLATFORM PRESENTS A PINCHING, SHEARING, OR CRUSHING HAZARD, A SMOOTH CONTINUOUS SURFACE SHALL BE PROVIDED EXTENDING FROM LOWER LANDING TO 42" MINIMUM ABOVE UPPER LANDING.
8. (SHEETS 1 & 2) STANDARD GATE HINGING SHOWN; MIRROR GATES AND GATE DIMENSIONS ABOUT PLATFORM CENTERLINE AS NECESSARY FOR OTHER HINGE CONFIGURATIONS.



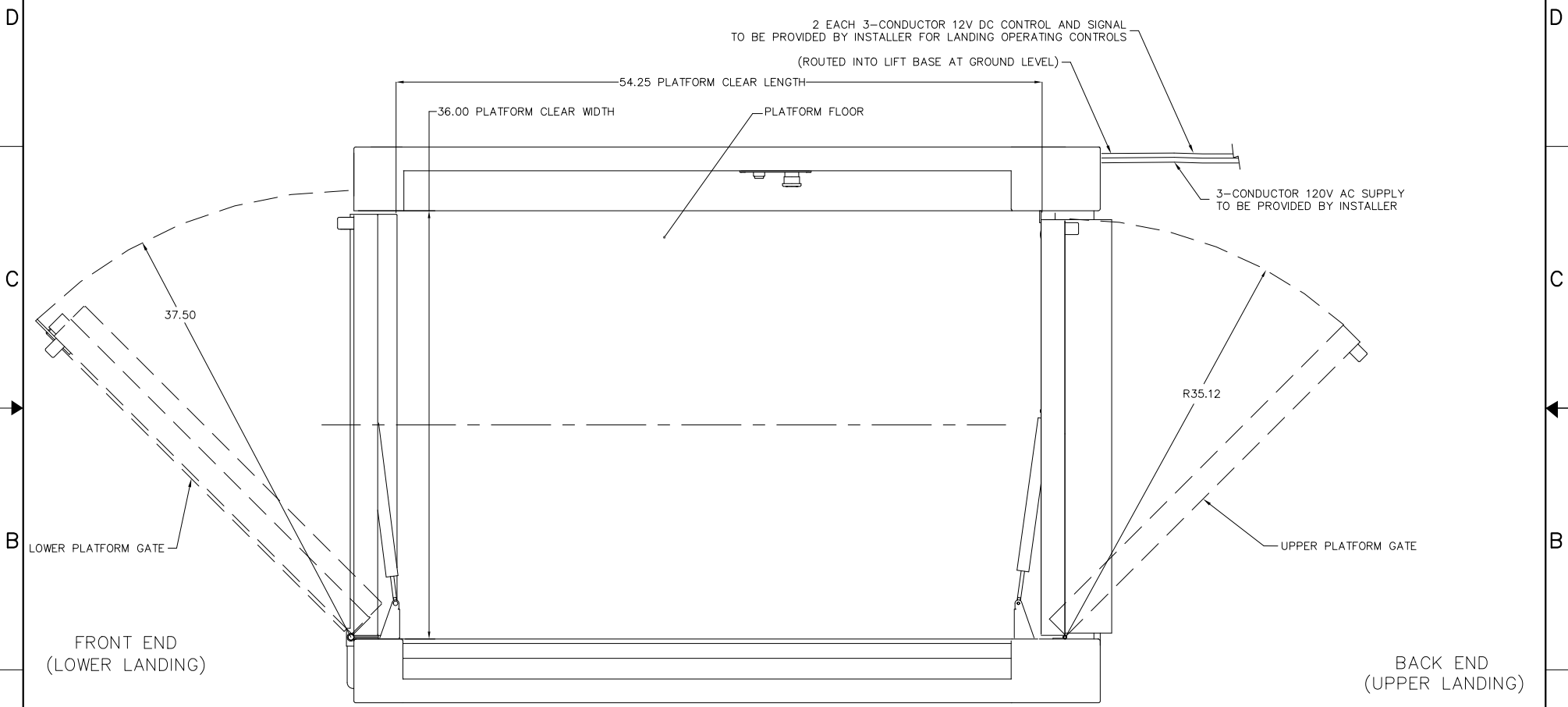
SEE SHEET 3

ASCENSION P/N:

INTERPRET DIMENSIONS AND TOLERANCES UNLESS OTHERWISE SPECIFIED DIMENSIONS ARE IN INCHES		CONTRACT		gcm CONTAINER CONTROLS, INC. P.O. BOX 40020 - TUCSON, ARIZONA 85717-0020	
DECIMALS: .XX ±.05 .XXX ±0.030	ANGLES: 0.5°	DRAWN: M. ONTIVEROS	DATE: 8-31-06	TITLE: VERTICAL WHEELCHAIR LIFT ASSEMBLY	REV: P
DO NOT SCALE DRAWING		CHECK: E. ZUERCHER	DATE: 9-5-06	SIZE: D	
FMS: _____		APPROVED: E. ZUERCHER	DATE: 9-5-06	FSCM NO.: 08992	DWG. NO.: VIRTUOSO 5460F
PART NO. _____	NEXT FINAL QTY. REQD PER ASSY. _____	NEXT ASSY. _____	USED ON _____	SCALE: 1/4"	RELEASE-BAR _____ SHEET 1 OF 3

8 7 6 5 4 3 2 1

REVISIONS				
ZONE	LTR.	DESCRIPTION	DATE	APPROVED



PLAN VIEW

GATE HINGE CONFIGURATIONS: **8**

- 1. STANDARD GATE HINGING: ALL GATES AS SHOWN.
- 2. OPPOSITE-HINGED LOWER PLATFORM GATE: MIRROR LOWER PLATFORM GATE ABOUT PLATFORM CENTERLINE.
- 3. OPPOSITE-HINGED UPPER PLATFORM GATE: MIRROR UPPER PLATFORM GATE ABOUT PLATFORM CENTERLINE.
- 4. ALL GATES OPPOSITE HINGED: MIRROR ALL GATES ABOUT PLATFORM CENTERLINE.

SIZE <b>D</b>	FSCM NO. <b>08992</b>	DWG. NO. <b>VIRTUOSO 5460F</b>	REV <b>P</b>
SCALE 1/4	RELEASE DATE	SHEET 2	FILE VIRTUOSO 5460F

DMAT 2/91 8 7 6 5 4 3 2 1

8 7 6 5 4 3 2 1

REVISIONS				
ZONE	LTR.	DESCRIPTION	DATE	APPROVED

D

D

C

C

B

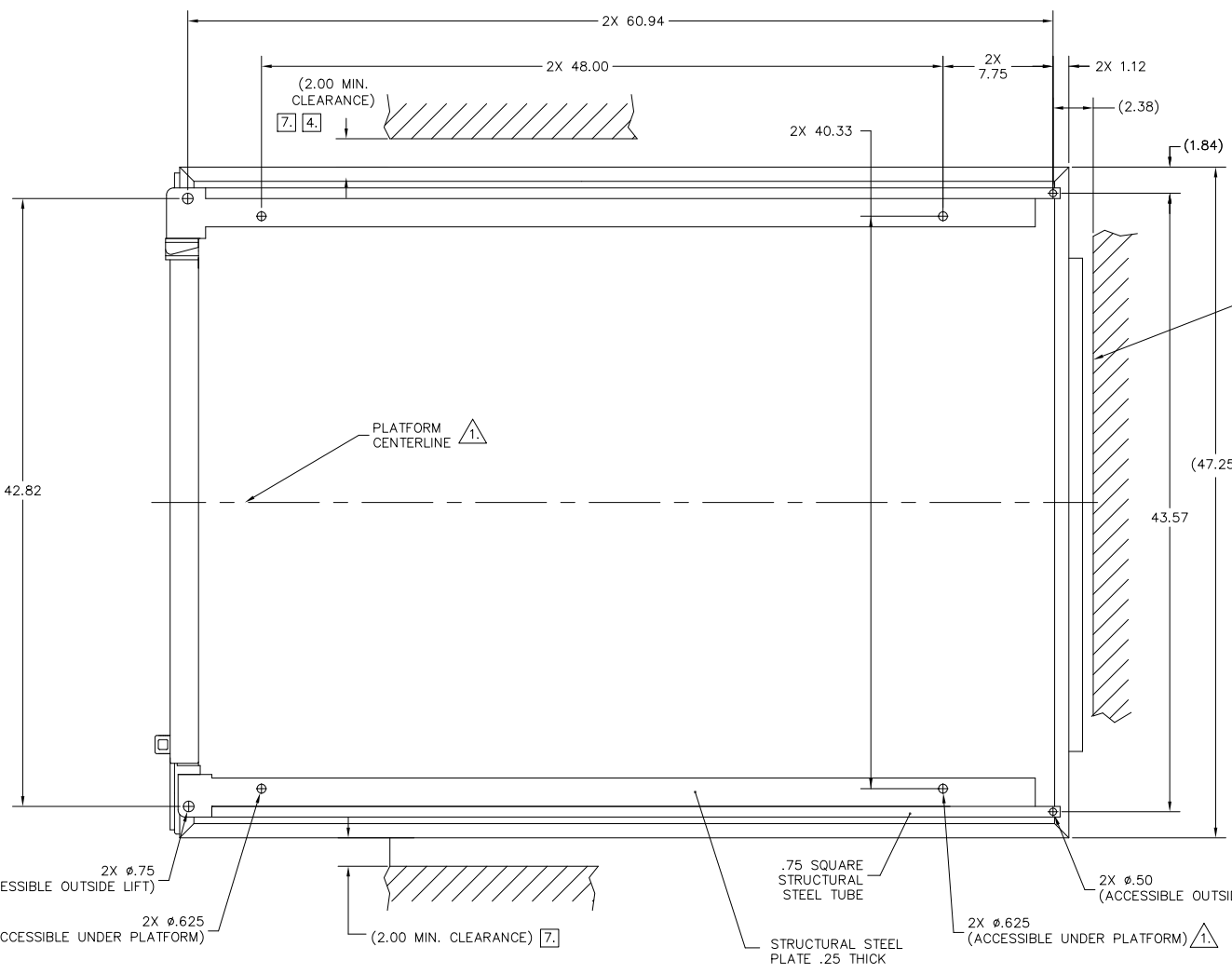
B

A

A

FRONT END  
(LOWER LANDING)

BACK END  
(UPPER LANDING)



VIEW A—A (BOTTOM VIEW)  
FROM SHEET 1

ANCHOR POINTS  
SYMMETRIC ABOUT PLATFORM CENTERLINE

SIZE	FSCM NO.	DWG. NO.	REV.
D	08992	VIRTUOSO 5460F	P
SCALE	1/4	RELEASE DATE	SHEET 3