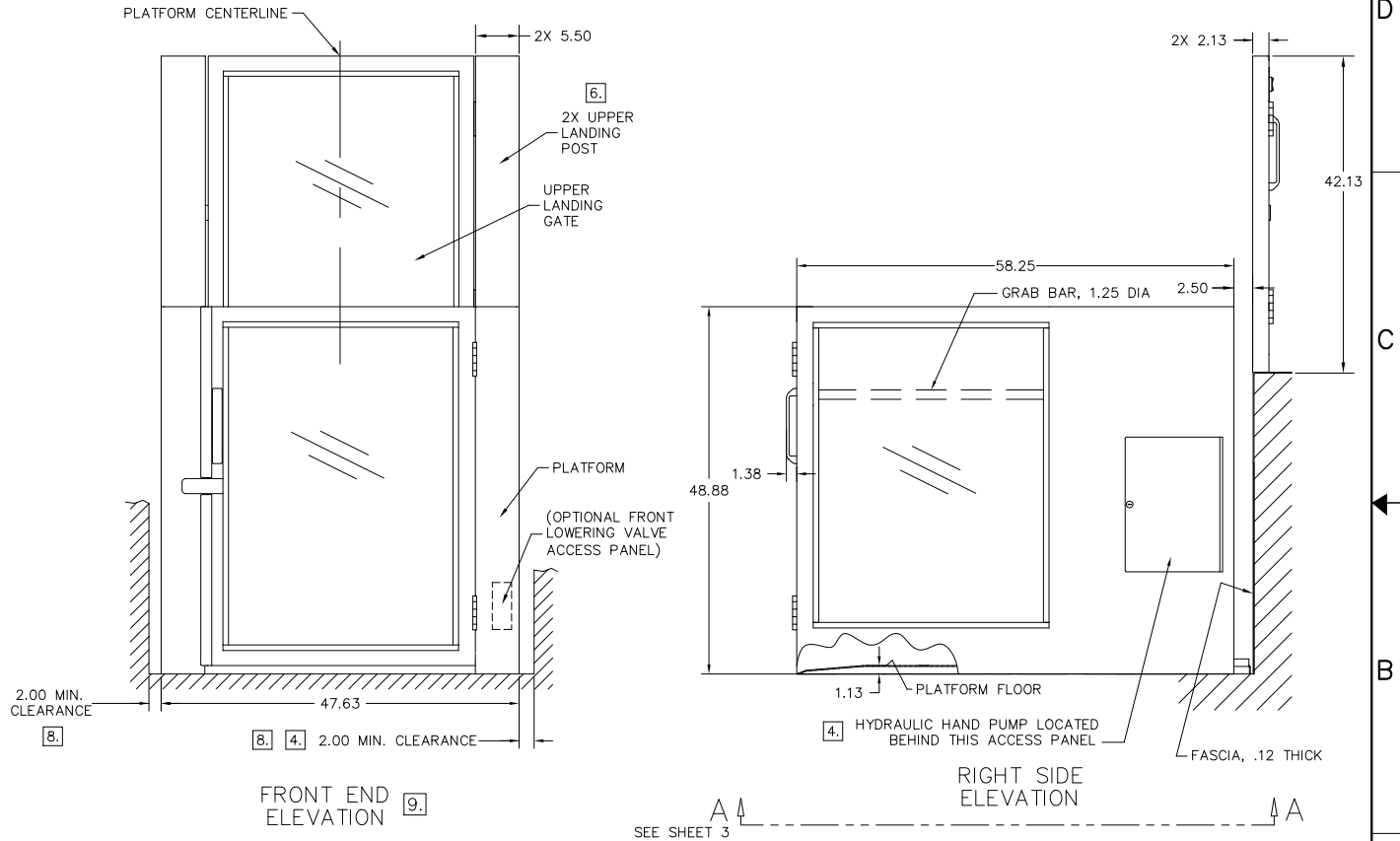


8 7 6 5 4 3 2 1

REVISIONS				
ZONE	LTR.	DESCRIPTION	DATE	APPROVED

NOTES UNLESS OTHERWISE SPECIFIED:

1. DESCRIPTION: ASCENSION PROTEGE 5442F MODEL SERIES VERTICAL WHEELCHAIR LIFT. STANDARD COLOR BLACK.
2. ELECTRICAL & CONTROLS:
 - 2.1 120 VAC, 60 HZ, SINGLE PHASE, 15 AMP MINIMUM SERVICE LINE.
 - 2.2 LOWER LANDING OPERATING CONTROLS PROVIDED IN 1.88" DEEP SINGLE GANG HANDY BOX FOR REMOTE MOUNTING.
 - 2.3 UPPER LANDING OPERATING CONTROLS PROVIDED AT UPPER LANDING GATE.
 - 2.4 ALL CONTROL CIRCUITS POWERED BY 24 VDC POWER SUPPLY.
3. LIGHTING: STANDARD AND EMERGENCY LIGHTING TO BE PROVIDED BY OTHERS.
4. (SHEETS 1 & 3) INDICATED MINIMUM CLEARANCE (ON RIGHT SIDE ONLY) SHALL BE INCREASED TO 13.00" FOR HAND PUMP ACCESS WHERE STANDBY POWER OR BATTERY BACKUP IS NOT PROVIDED, AND FOR ALL INSTALLATIONS IN CALIFORNIA. OMIT THIS REQUIREMENT WHEN FRONT LOWERING VALVE OPTION IS SELECTED.
5. REINFORCED CONCRETE SLAB REQUIRED, 4" THICK, 3500 PSI, FLAT AND LEVEL WITHIN 1/2".
6. UPPER LANDING POSTS NOT SELF-SUPPORTING. SIDE SUPPORTS AND ATTACHMENT BRACKETS TO SUPPORT 125 LBF TO BE PROVIDED BY OTHERS.
7. ANCHORS TO BE PROVIDED BY INSTALLER.
8. WHERE AN OBSTRUCTION OR SURFACE LOCATED WITHIN 12" OF PLATFORM PRESENTS A PINCHING, SHEARING, OR CRUSHING HAZARD, A SMOOTH CONTINUOUS SURFACE SHALL BE PROVIDED EXTENDING FROM LOWER LANDING TO 42" MINIMUM ABOVE UPPER LANDING.
9. (SHEETS 1 & 2) STANDARD GATE HINGING SHOWN; MIRROR GATES AND GATE DIMENSIONS ABOUT PLATFORM CENTERLINE AS NECESSARY FOR OTHER HINGE CONFIGURATIONS.

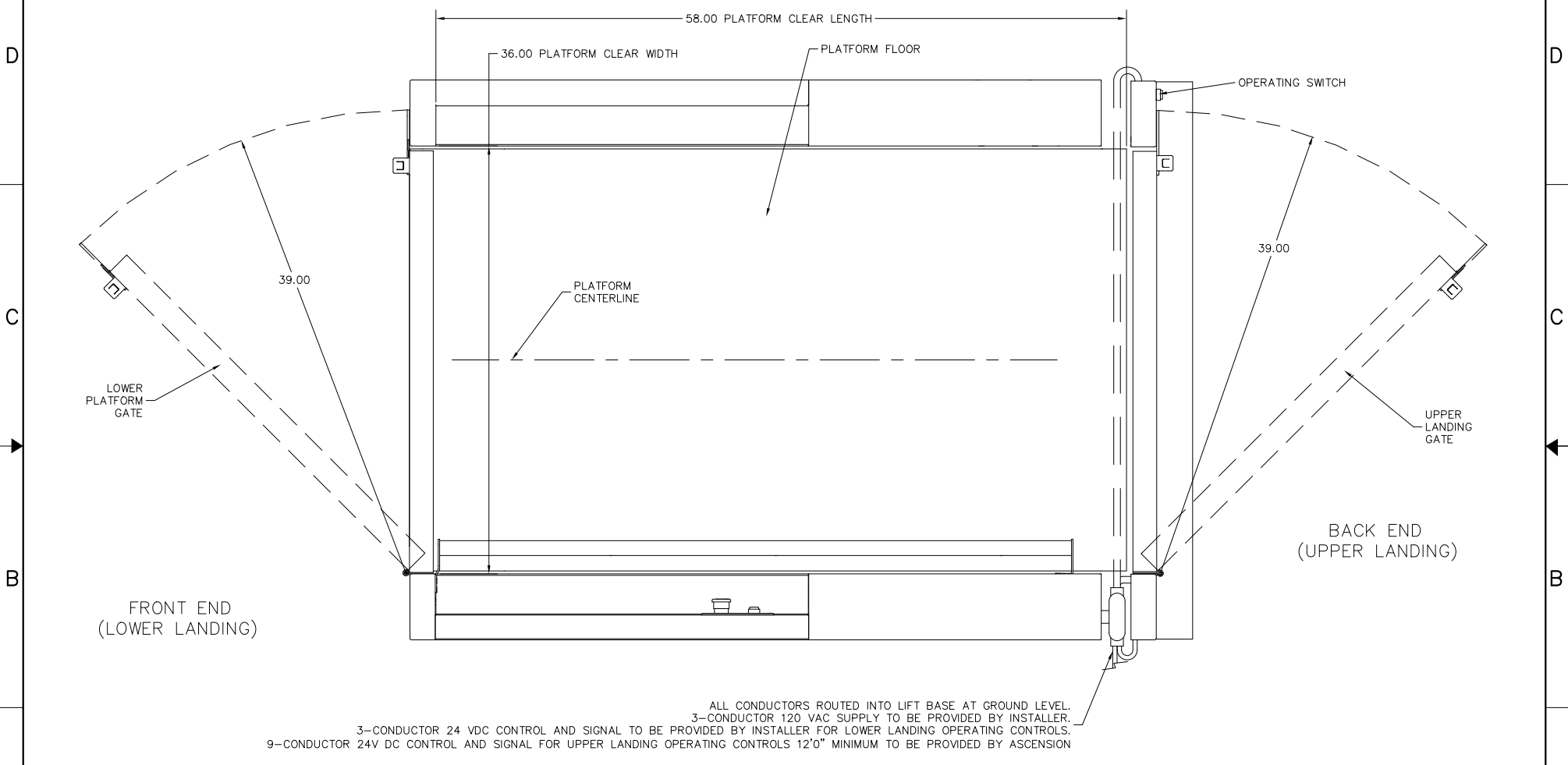


ASCENSION P/N: _____

INTERPRET DIMENSIONS AND TOLERANCES IN INCHES UNLESS OTHERWISE SPECIFIED DIMENSIONS ARE IN INCHES DECIMALS: XX .0.25 XXX .0.030 ANGLES: 0.5° DO NOT SCALE DRAWING PWS:		CONTRACT DRAWN: B. KOOMAR CHECKED: E. ZUERCHER APPROVED: E. ZUERCHER MANUFACTURING:	DATE: 1-9-12 DATE: 1-18-12 DATE: 1-18-12	CGM CONTAINER CONTROLS, INC. P.O. BOX 40020 - TUCSON, ARIZONA 85717-0020 PROTEGE 5442FG MODEL SERIES WHEELCHAIR LIFT
PART NO. NEXT FINAL QTY. REQD PER ASSY.	NEXT ASSY. USED ON APPLICATION	SIMILAR TO PACT. WT. BALC. WT.	SIZE: D SCALE: 1/8"	FSCM NO.: 08992 DWG. NO.: PROTEGE 5442FG SHEET: 1 OF 3

8 7 6 5 4 3 2 1

REVISIONS				
ZONE	LTR.	DESCRIPTION	DATE	APPROVED



ALL CONDUCTORS ROUTED INTO LIFT BASE AT GROUND LEVEL.
 3-CONDUCTOR 120 VAC SUPPLY TO BE PROVIDED BY INSTALLER.
 3-CONDUCTOR 24 VDC CONTROL AND SIGNAL TO BE PROVIDED BY INSTALLER FOR LOWER LANDING OPERATING CONTROLS.
 9-CONDUCTOR 24V DC CONTROL AND SIGNAL FOR UPPER LANDING OPERATING CONTROLS 12'0" MINIMUM TO BE PROVIDED BY ASCENSION

PLAN VIEW

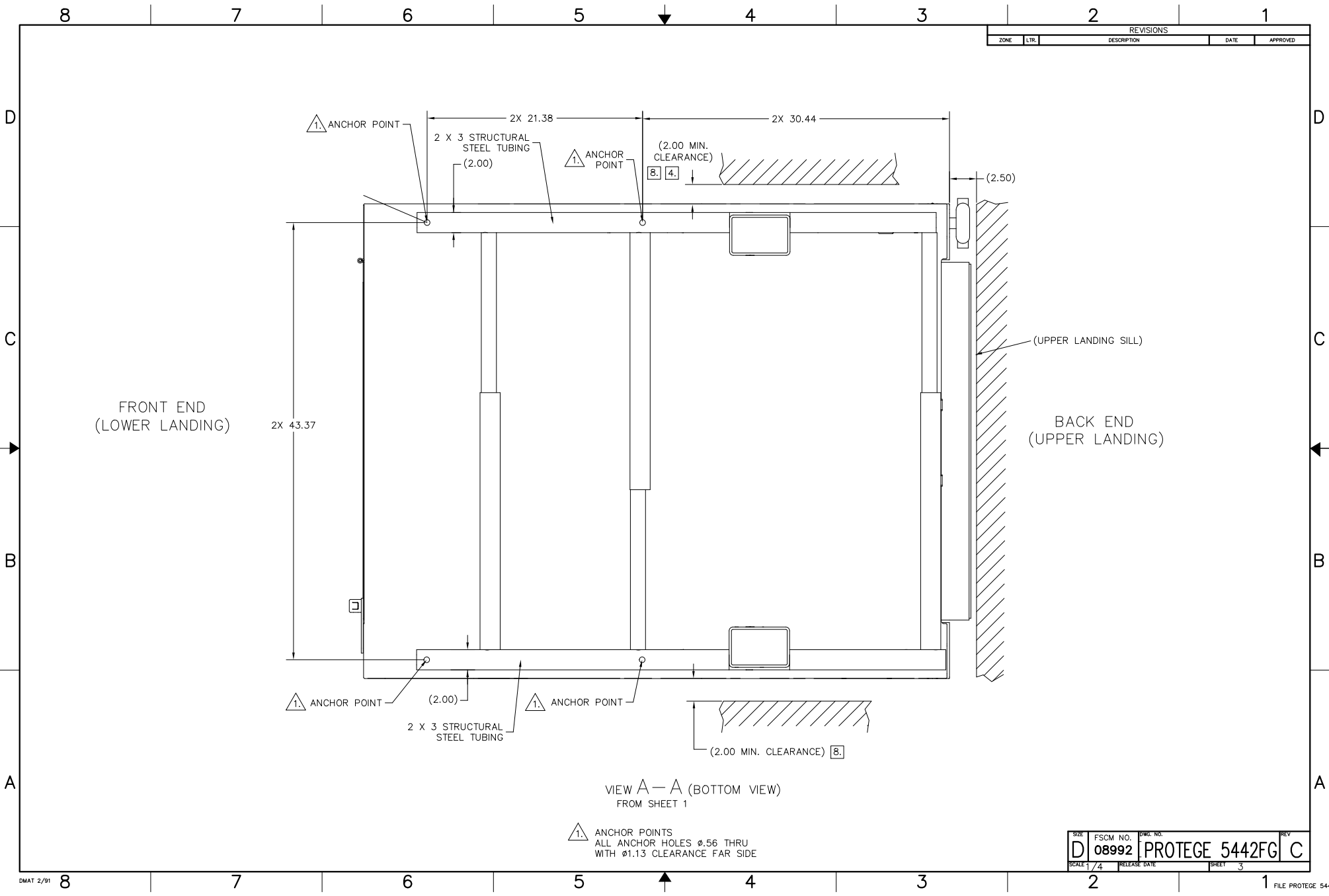
GATE HINGE CONFIGURATIONS: 9

- 1. STANDARD GATE HINGING: ALL GATES AS SHOWN.
- 2. OPPOSITE-HINGED LOWER PLATFORM GATE: MIRROR LOWER PLATFORM GATE ABOUT PLATFORM CENTERLINE.
- 3. OPPOSITE-HINGED UPPER PLATFORM GATE AND UPPER LANDING GATE: MIRROR UPPER PLATFORM GATE AND UPPER LANDING GATE ABOUT PLATFORM CENTERLINE.
- 4. ALL GATES OPPOSITE HINGED: MIRROR ALL GATES ABOUT PLATFORM CENTERLINE.

SIZE D	FSCM NO. 08992	DWG. NO. PROTEGE 5442FG	REV C
SCALE 1/4	RELEASE DATE	SHEET 2	FILE PROTEGE 5442FG

DMAT 2/91 8 7 6 5 4 3 2 1

REVISIONS				
ZONE	LTR.	DESCRIPTION	DATE	APPROVED



VIEW A—A (BOTTOM VIEW)
FROM SHEET 1

1. ANCHOR POINTS
ALL ANCHOR HOLES $\phi.56$ THRU
WITH $\phi.13$ CLEARANCE FAR SIDE

SIZE	FSCM NO.	DWG. NO.	REV
D	08992	PROTEGE 5442FG	C
SCALE	1/4	RELEASE DATE	SHEET 3